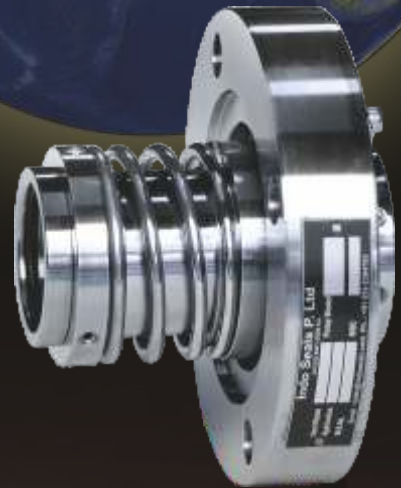




indosealsTM

An associate of ND Thakare
ISO 9001-2015



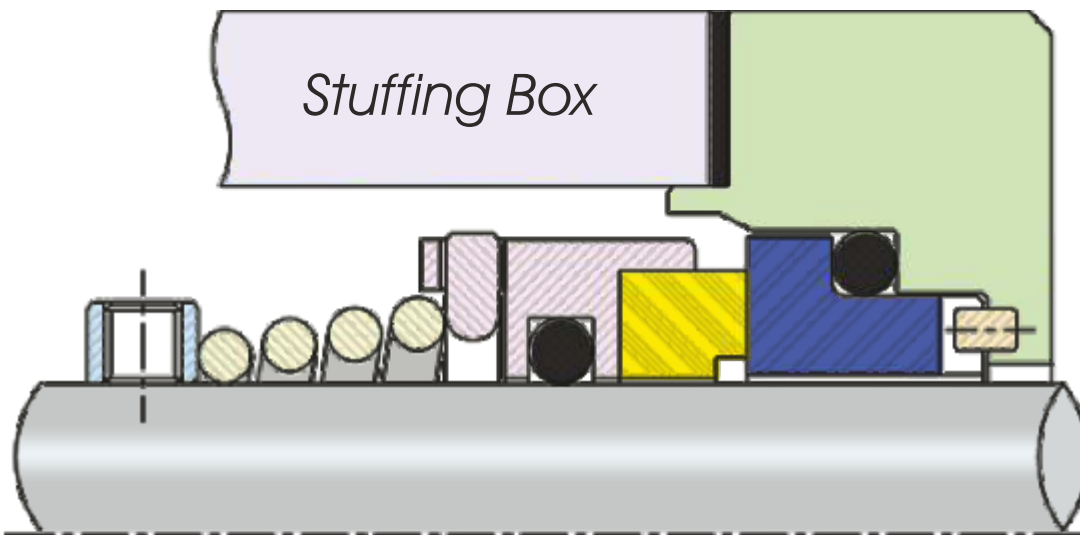
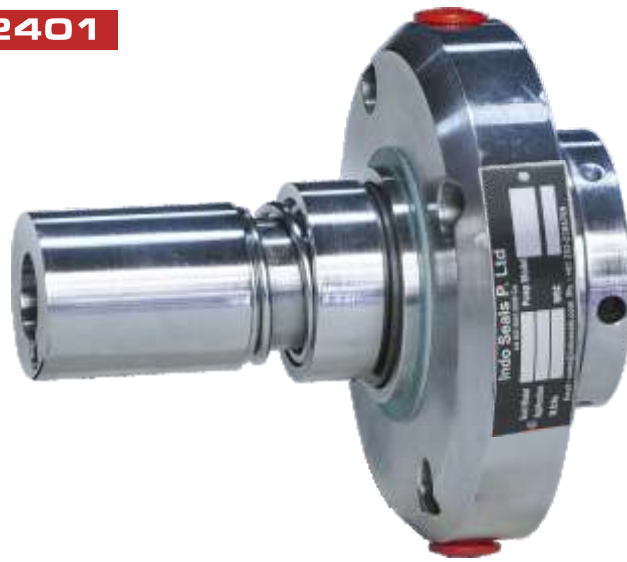
Mechanical Seals Total Solutions

Conical Spring Seal - ISPL 2401

- Single acting unbalanced seal
- Dependent on direction of rotation
- Conical spring
- Inside mounted

Applications:

- Circulating pumps for water & heating systems
- Submerged pumps
- Sewage pumps
- Sugar Industry: Pumps for millstrained / unstrained juice,
Raw juice sulphured & clear juice
Maceration water
Quadriple or desuperheater or
centrifugal machine
hot water
Pan condensate
Sulphited / unsulphited syrup
Injection, spray, etc.



ISPL-2401 Conical Spring Seal

Certified By:

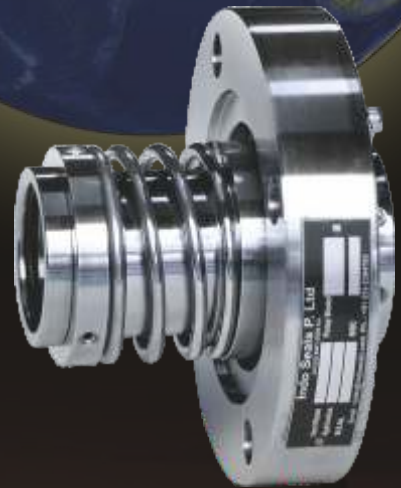


Use Indoseals....avoid plant pollution



indosealsTM

An associate of ND Thakare
ISO 9001-2015

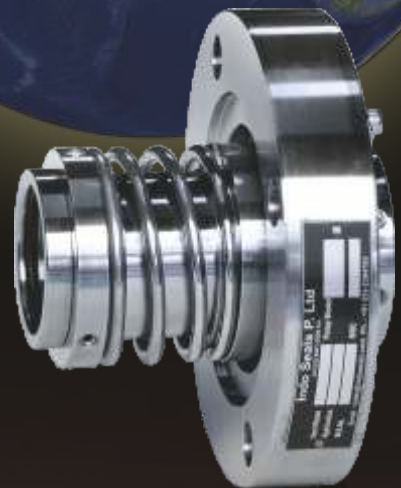


Mechanical Seals Total Solutions



indosealsTM

An associate of ND Thakare
ISO 9001-2015



Mechanical Seals Total Solutions