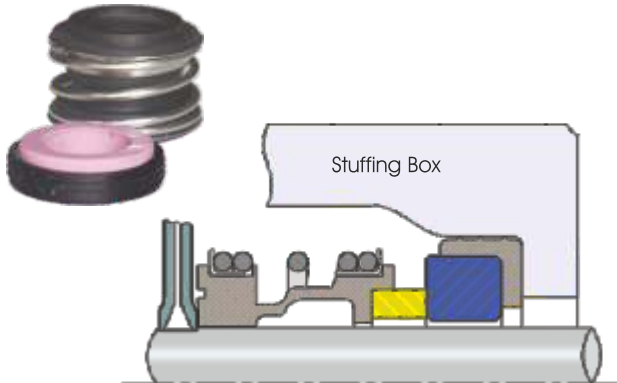
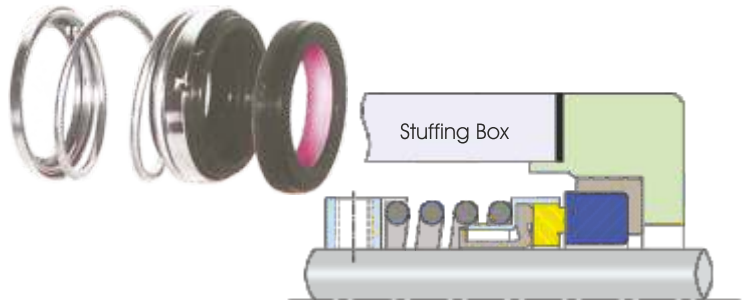


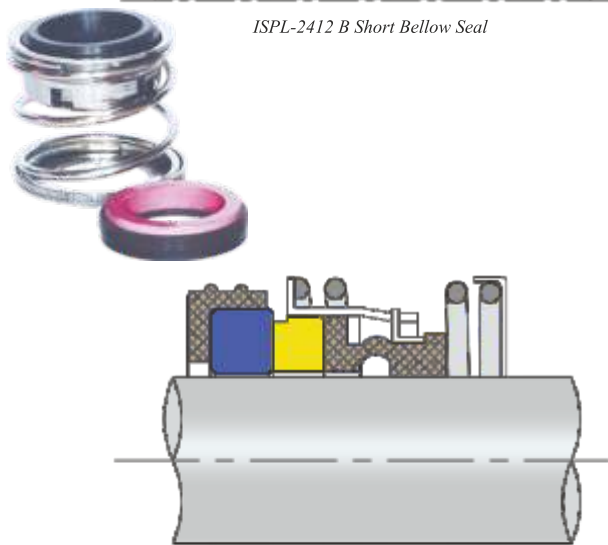
*ISPL-2412 A Open Type Seal*



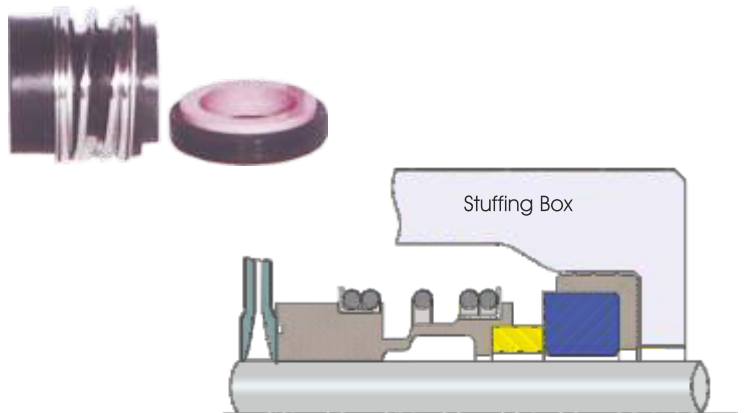
*ISPL-2412 B Short Bellow Seal*



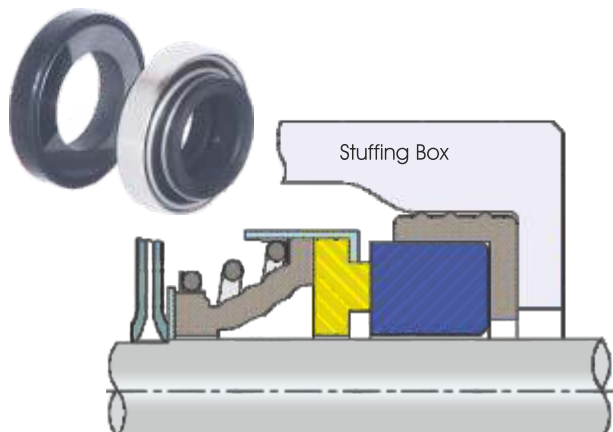
*ISPL-2412 E Robin Type*



*ISPL-2412 C Crane Type*



*ISPL-2412 F Long Bellow Type MG12*



*ISPL-2412 D Close Type Seal*



*ISPL-2412 G-J1 Type*