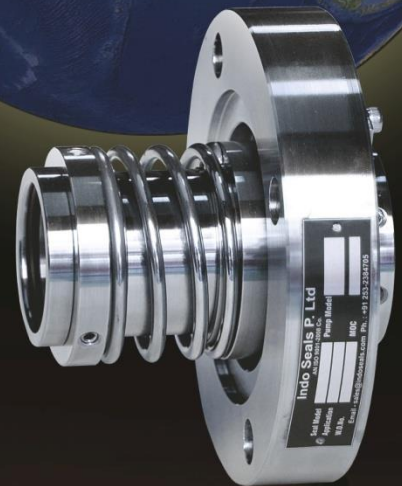




indosealsTM

An associate of ND Thakare
ISO 9001-2015



Mechanical Seals Total Solutions

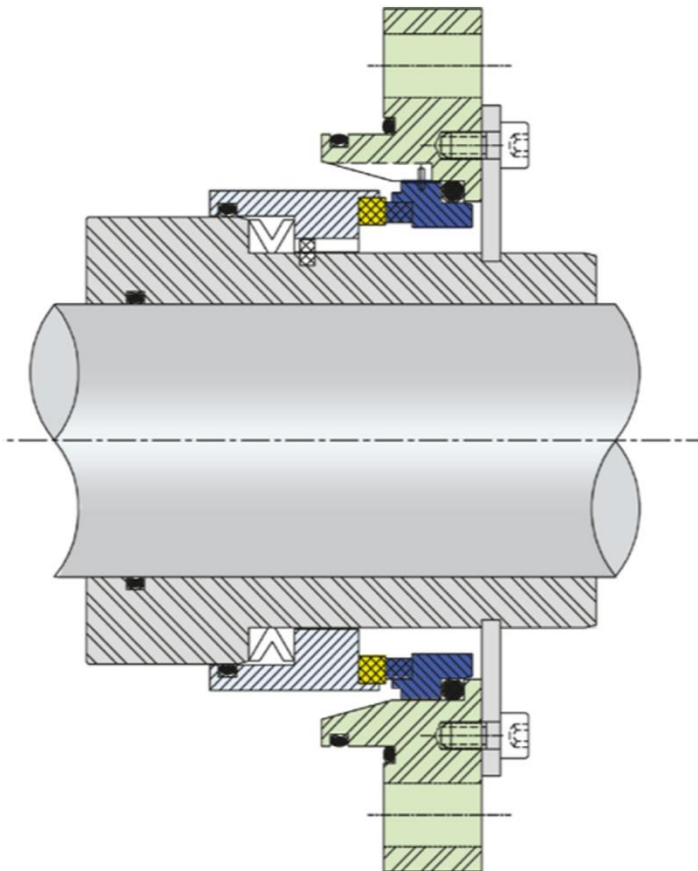
Side Entry Cartridge Seal - ISPL 2429

- Wave/Multi spring single seal
- Balanced
- Independent on direction of rotation
- Spring product protected

Applications:

- Suitable for operating in highly viscous fluids or with fluids containing solid particles
- Pulp & paper Industry
- Pharmaceutical Industry
- Petroleum Industry
- Chemical Industry

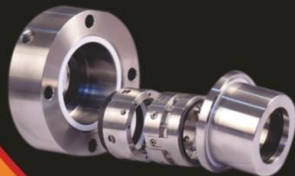
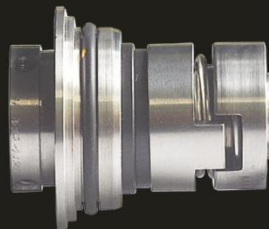
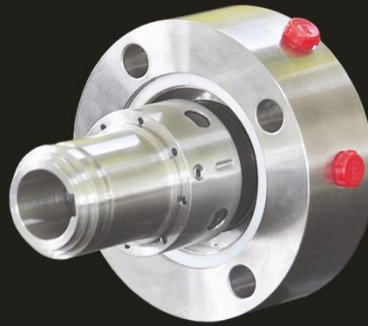
This cartridge seal is available in both wave spring or multi spring. These seals are most commonly used in side entry agitators for viscous fluids. These seals can easily replace with other seals.



ISPL-2429 Side Entry Agitator Cartridge Type Seal

Certified By:





- Nashik
- Pune
- Mumbai
- Kolhapur
- Hyderabad
- Bangalore
- Vijaywada
- Chennai
- Ahmedabad
- Barodra
- Kolkata
- New Delhi
- Sharanpur
- Lucknow
- Raipur
- Jaipur

Contact us:

For Sales:

sales@indoseals.com
Cell No.: +91 7447439162

For Services:

service@indoseals.com
Cell No.: +91 9881301631



An associate of ND Thakare

Indoseals P. Ltd.

Mfgrs. of Mechanical seals & spares, Rotary unions

Regd. Office & factory: W-97A, First Floor, MIDC, (behind Hardy Spicer) Ambad,
Nashik - 422010, Maharashtra, INDIA
Phone: +91 253 2384705; +91 253 2384575
Fax: +91 253 2384705, Cell: +91 9881301631
e-mail: sales@indoseals.com ; info@indoseals.com; Website: www.indoseals.com

Certified By:

