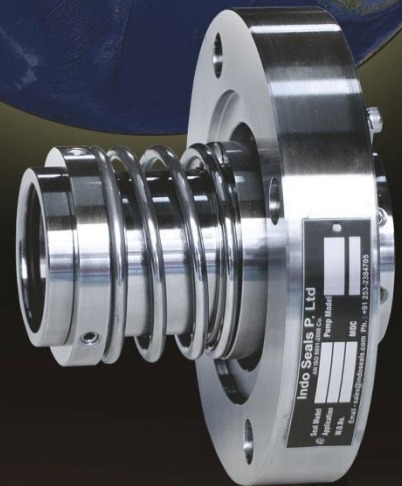




indoseals™

An associate of ND Thakare
ISO 9001-2015



Mechanical Seals Total Solutions

Grinding Mill Seal - ISPL 2430

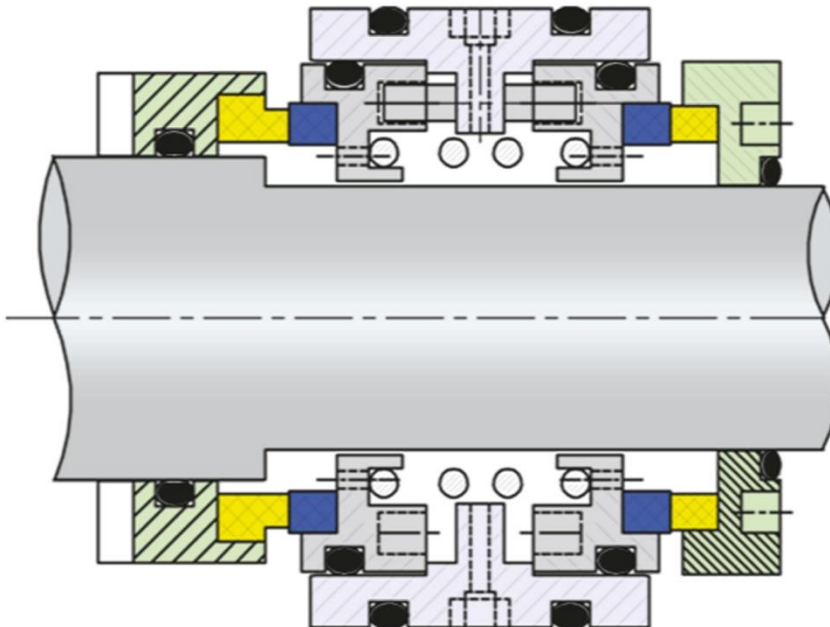
- Double seal
- Independent on direction of rotation
- Spring product protected

Applications:

- Suitable for use in paint slurry / abrasive liquids in grinding mill

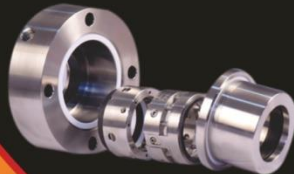
Double mechanical seal with single spring is designed for slurry, where corrosive, toxic or volatile liquids are being handled. Cooling liquid provided. Stationary spring loaded & uniform face pressure at both faces.

Many more models are available in our design department.



Certified By:





- Nashik
- Pune
- Mumbai
- Kolhapur
- Hyderabad
- Bangalore
- Vijaywada
- Chennai
- Ahmedabad
- Barodra
- Kolkata
- New Delhi
- Sharanpur
- Lucknow
- Raipur
- Jaipur

Contact us:

For Sales:

sales@indoseals.com
Cell No.: +91 7447439162

For Services:

service@indoseals.com
Cell No.: +91 9881301631



An associate of ND Thakare

Indoseals P. Ltd.

Mfgrs. of Mechanical seals & spares, Rotary unions

Regd. Office & factory: W-97A, First Floor, MIDC, (behind Hardy Spicer) Ambad,
Nashik - 422010, Maharashtra, INDIA
Phone: +91 253 2384705; +91 253 2384575
Fax: +91 253 2384705, Cell: +91 9881301631
e-mail: sales@indoseals.com ; info@indoseals.com; Website: www.indoseals.com

Certified By:

