



# indoseals™

An associate of ND Thakare  
ISO 9001-2015



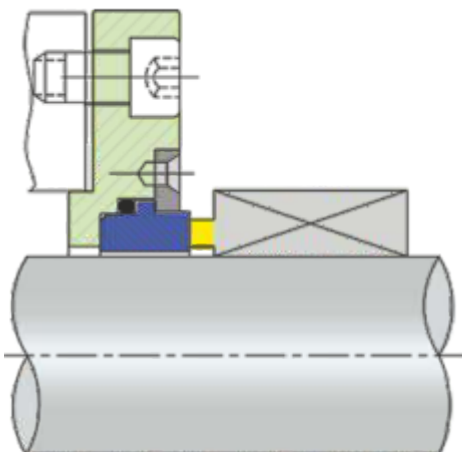
*Mechanical Seals Total Solutions*

## Agitator Seal - ISPL 24555 Single Seal

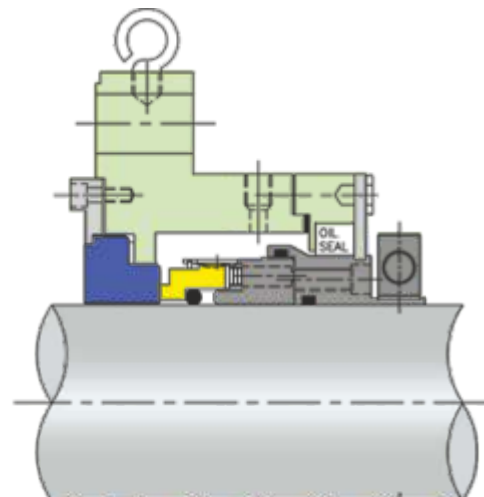
- Single cartridge seal
- Independent on direction of rotation
- Option: Dry running
- Option: Glass line reactor seal

### Applications:

- Pharmaceuticals
- Biotechnology
- Polyfilm industries
- All types of mixer, agitators, & reactors.



ISPL 24555 Single Seal



ISPL 24555 B GLR Seal

Certified By:



Use Indoseals....avoid plant pollution



- Nashik
- Pune
- Mumbai
- Kolhapur
- Hyderabad
- Bangalore
- Vijaywada
- Chennai
- Ahmedabad
- Barodra
- Kolkata
- New Delhi
- Sharanpur
- Lucknow
- Raipur
- Jaipur

Contact us:

For Sales:  
[sales@indoseals.com](mailto:sales@indoseals.com)  
Cell No.: +91 7447439162

For Services:  
[service@indoseals.com](mailto:service@indoseals.com)  
Cell No.: +91 9881301631



An associate of ND Thakare

# Indoseals P. Ltd.

Mfgs. of Mechanical seals & spares, Rotary unions

Regd. Office & factory: W-97A, First Floor, MIDC, [behind Hardy Spicer] Ambad,  
Nashik - 422010, Maharashtra, INDIA  
Phone: +91 253 2384705; +91 253 2384575  
Fax: +91 253 2384705, Cell: +91 9881301631  
e-mail: [sales@indoseals.com](mailto:sales@indoseals.com) ; [info@indoseals.com](mailto:info@indoseals.com); Website: [www.indoseals.com](http://www.indoseals.com)

Certified By:

