



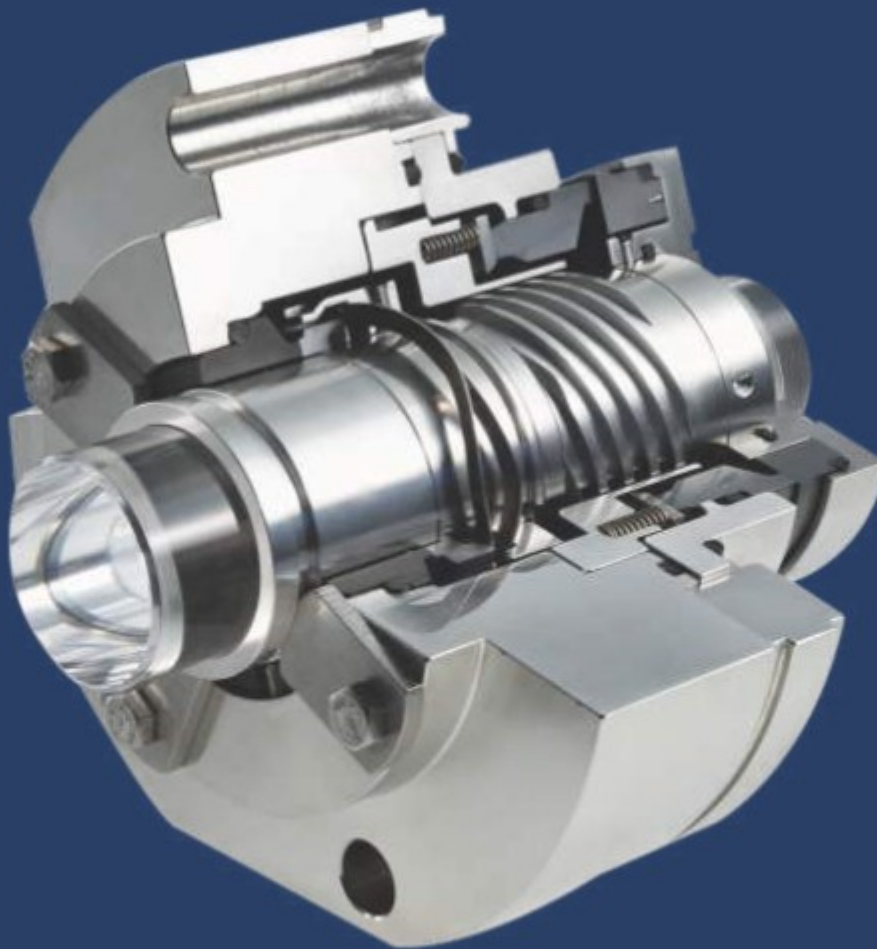
The name in sealing Technology

Indo Seals P. Ltd.

Design and Manufacturers of Mechanical Seals & Rotary Unions

An ISO 9001:2015 Company

MFGRS. OF MECHANICAL SEALS AND SPARES



www.indoseals.com



The name in sealing Technology

Indo Seals P. Ltd.

Design and Manufacturers of Mechanical Seals & Rotary Unions

Certified By :



Indo Seals Pvt. Ltd. is the company of N.D. Thakare group of companies. The Director dedicated 30 years experience in Mechanical sealing technology application engineering, design, manufacturing & services. Company have very good advance machinery set-up like CNC, VMC, Pump mechanical seal testing unit, Agitator seals complete live hydro testing, Vacuum testing, Seal compression testing & all necessary jig, fixtures, gauges, Design Software "Solid Edge" etc. are available to deliver the best product to the valuable customers. ISO 9001:2015 Quality system is implemented with advance ERP system in this mechanical seal manufacturing unit.

Indo Seals's products have very good market in sugar industries, chemical plants, Distilleries, Textile, Oil & Gas, Fertilizer, Food processing, Cosmetics, Pharmaceutical Plants, Refineries, Solvent plants, Petrochemical and many other industries.

Indo Seals offers single coil spring, multi spring, Wave spring, Double mechanical & custom built seals which can be used under various corrosive, viscous, toxic and highly inflammable pumping fluid applications. Complete cartridge assembly with drive for reactors and agitators. Different types of Rotary Unions are available.

ISPL 2401 Conical Spring Seal



ISPL 2402 Balance Multi Spring Seal



ISPL 2403 Multi Spring Seal



ISPL 2404 Teflon Bellow Seal



ISPL 2406 Straight Spring Seal



ISPL 2405 Teflon Bellow Seal



ISPL 2407 Star Mechanical Seal



HOUSE OF MECHANICAL SEALS



ISPL 2408 Double Mechanical Seal



ISPL 2409 I.S. Balanced Seal

ISPL 2410 Heavy Duty Seal



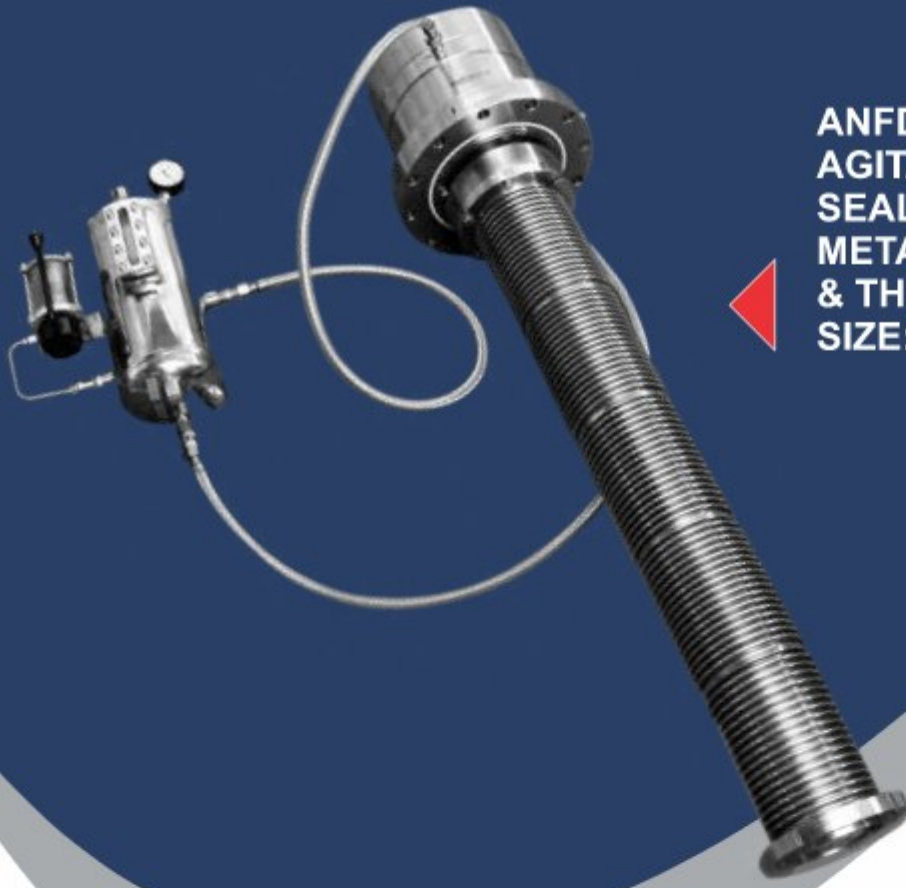
ISPL 2411 Single Spring Seal



API 682 Seals



ISPL 2412 Water Pump Seals



ANFD
AGITATOR
SEAL WITH
METAL BELLOW
& THERMO SYPHONE
SIZE: 110mm SHAFT



*ISPL 2413 Multispring
Cartridge Seal*



ISPL 2414 Cartridge Seal



ISPL 2415 Steel Bellow Seal



ISPL 2416 Thermodynamic Seal



ISPL 2417 Dry Seal



ISPL 2418 Split Seal



ISPL 2419 Boiler Feed Pump



ISPL 2420 Accurate Seal



ISPL 2421 Springless Seal



ISPL 2423 Heat Exchanger Seal



ISPL 2422 RTBS Seal



ISPL 2424 Pressure Screen Seal



ISPL 2426 Wave Spring Seal



ISPL 2427 Grinding Mill Seal



ISPL 2428 Balanced Wave Spring Seal



ISPL 2429 Side Entry Cartridge Seal



HOUSE OF AGITATOR SEALS



ISPL 24555 Single Seal



ISPL 24556 Single Seal with bearing



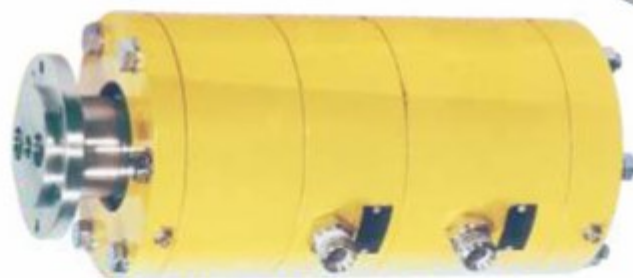
ISPL 24557 Double Mechanical Seal



ISPL 24558 Double Agitator Seal with bearing



ISPL 24558 Double Agitator Seal with bearing



ISPL 24560 Quaduple Sealing System



Some of Our Valuable Customers



Suzlon Energy



Amul



McDowell & Co.



HUL



Glaxo



DSM Sugar



Bajaj Hindustan



Pioneer Distilleries



Glenmark



Bosch India



Jain Irrigation



DCM Shriram



Wipro



Blue Cross



Piaggio Vehicles



Samsonite



Wockhardt Ltd.



Shree Pumps



Kiroskar Oil Engines



Jubilant Organosys



Parle



Pharma / Breweries / Milk Dairy Seals



Thermosyphone System



Rotary Unions





INDO SEALS SHOWROOM



Follow us on [facebook](#) [Twitter](#) [YouTube](#) [Instagram](#) [LinkedIn](#)



The name in sealing Technology

Indo Seals P. Ltd.

Design and Manufacturers of Mechanical Seals & Rotary Unions

Certified By :



Factory : W-97A, Behind Hardy Spicer, MIDC, Ambad,
Nashik - 422 010. Maharashtra, (India)

Ph. : +91 0253 2384705, 2384575 **Fax** : 2380256,

Cell : +91 98503 87332, +91 9011066235

Email : sales@indoseals.com

Website : www.indoseals.com

Channel Partner

